

# ASM-620-OEM (RS-232 to RS-232 Extender-w/RS-422 Driver \*4)

The ASM-620-OEM is a RS-232 interface throw RJ-45 Cable to RS-232 extender box  
 The ASM-620-OEM with TX box /DCE Mode to Host & RX box /DTE Mode to Device  
 RJ-45 Cable w/TXD+/TXD-; RXD+/RXD-; DSRD+/DSRD-; DTRD+/DTRD- Singles  
 You can easy connect PC or PLCC RS-422 interface to ASM-620 and connect to Device RS-232 port.  
 ASM-620-OEM box extend distance RS-232 TXD/RXD/DSR/DTR Singles

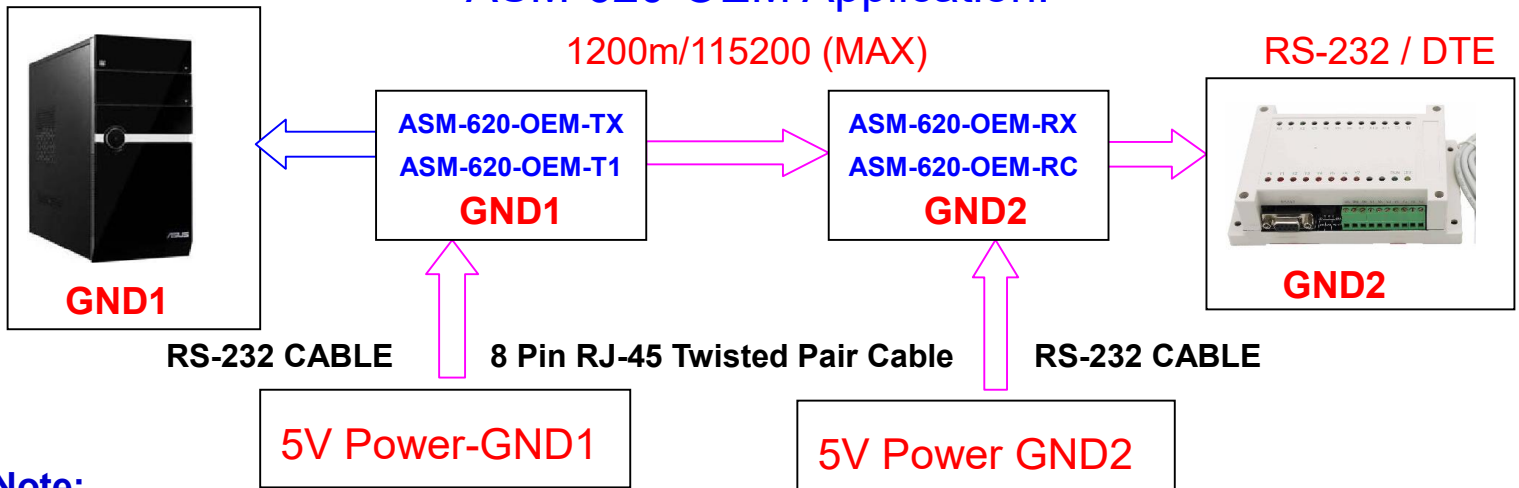
With TXD-RXD LED Display data transfer

Power: TX/RX w/ DC5V Adapter / **Data rate: Over 115,200 bps / 1,200m**

ESD Protection for RS-232 I/O' +-15KV

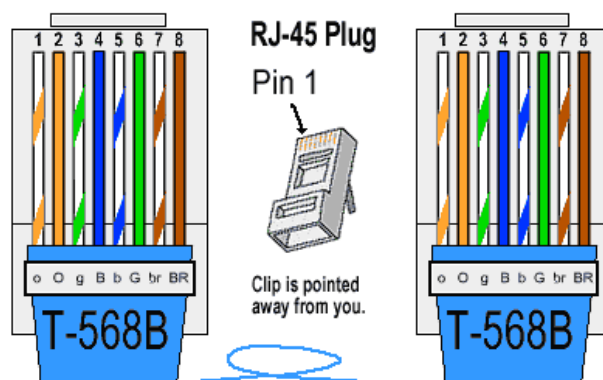
ASM-620-OEM -T1	ASM-620-OEM -TX	ASM-620-OEM -RX	ASM-620-OEM -RC
			
Model:ASM-620-OEM(TX+RX)/ASM-620-OEM-A(TX+RC)/ASM-620-OEM-B(T1+RX)/ASM-620-OEM-C (T1+RC)			

## ASM-620-OEM Application:



### Note:

1. GND1 & GND2 are different (RS-422 Interface unnecessary same GND)
2. GND1 to Host GND & TX 5V Adapter GND
3. GND2 to Device GND & RX 5V Adapter GND
4. Metal of RJ-45 Connector to GND
5. Use Cat 6 Shielded Ethernet CAT6STP Cable with preferably signal protect. =====>



RJ45 Singles: 1. DTR+ ;2.DTR- ;3.RX+ ;4.TX- ;5.TX+ ;6.RX- ;7.DSR+ ;8.DSR-