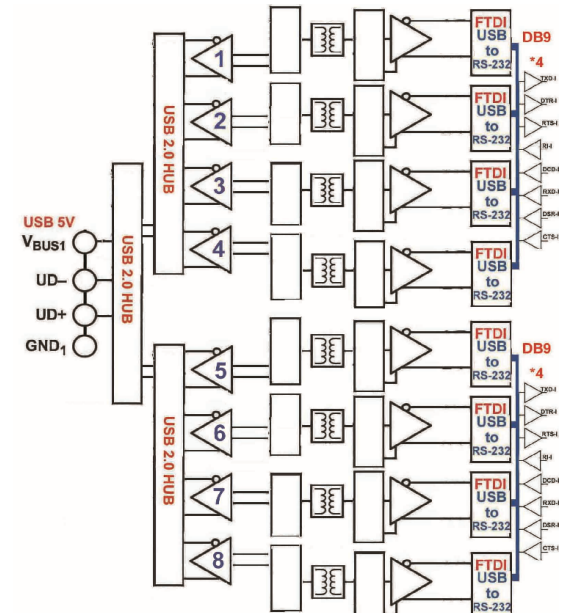
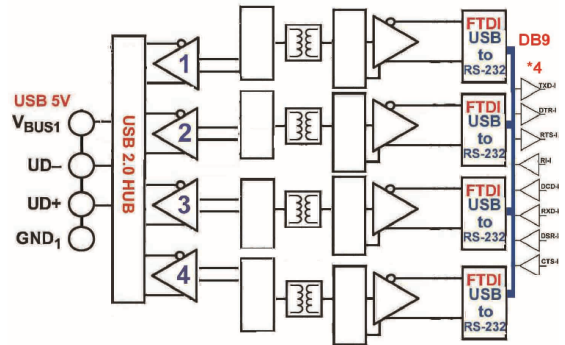
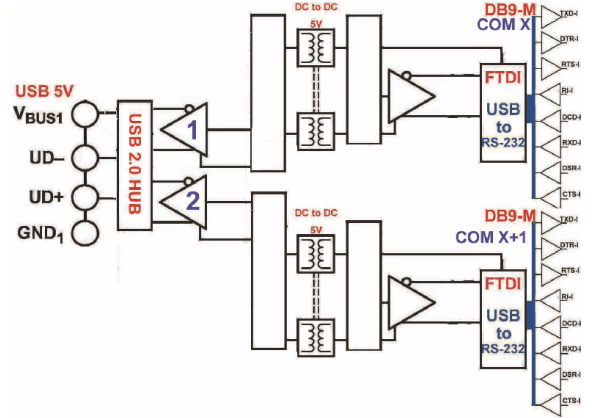
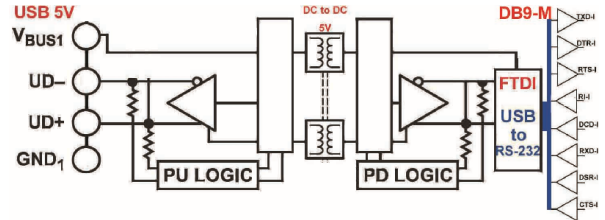


Isolated USB to 1~8 Port RS-232 (DB9) Cable

Features & Specification:

- USB to RS-232 (DB 9 Male) Isolated Cable
- The Cable is USB peripheral isolation cable
- With Isolated DC to DC Power
- 5V Power Input / Output Isolation : 3,000 Vdc
- USB Signal Input / Output Isolation : 2,500 Vdc
- Meets EIA/TIA-232E specification
- ESD protection on out pins
- (+-8KV: contact discharge +15KV: air gap discharge)
- Bus powered , [FTDI](#) Chip
- Standard USB TO RS-232 Adapter
- With 1 / 2 / 4 / 8 Port USB **Isolated** to RS-232 converter
- Easy to install , Plug & Play
- PDA RS-232 Port, 56K Modem, PLC and PC camera support.
- Fully compliant with USB Spec.
- Windows 98,98se, 2000, XP,7,10,11 and Vista Support
- Support Mac 8.6 up for USB1.1 /2.0
- Data rate : 115200 bps
- DB9-M RS-232 for DTE Mode
- With : Power-LED / TX-LED / RX-LED indicate



Signal Name			
FG	FG (Frame Ground)	FG-I	FG-I
1-VCC	CD (Carrier Detect)	1-DCD-I	1-DCD-I
2-DM	RD (Receive Data)	2-RXD-I	2-RXD-I
3-DP	TD (Transmit Data)	3-TXD-I	3-TXD-I
	DTR (Data Terminal Ready)	4-DTR-I	4-DTR-I
4-Host SG	SG (Signal Ground)	5-Device SG-I	5-Device SG-I
	DSR (Data Set Ready)	6-DSR-I	6-DSR-I
	RTS (Request To Send)	7-RTS-I	7-RTS-I
	CTS (Clear To Send)	8-CTS-I	8-CTS-I
	RI (Ring Indicator)	9-RI-I	9-RI-I

AUM100-I (50mA)

AUM120-I (125mA)

AUM140-I (225mA)

AUM180-I (475mA)

