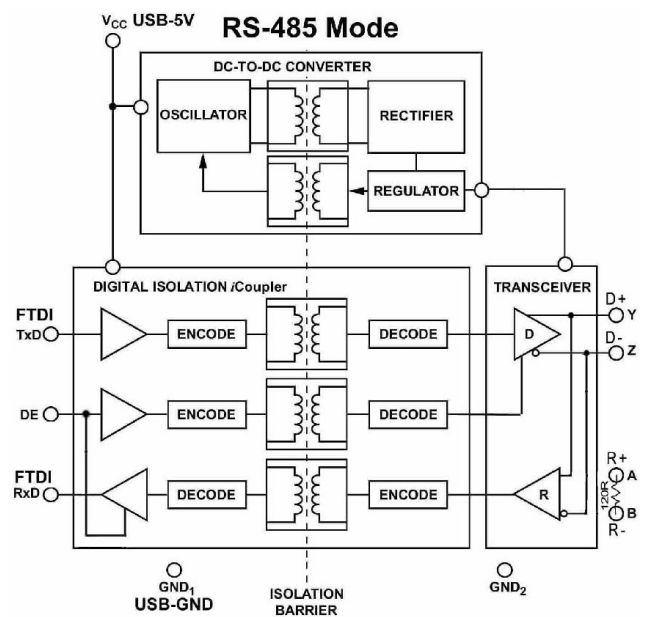
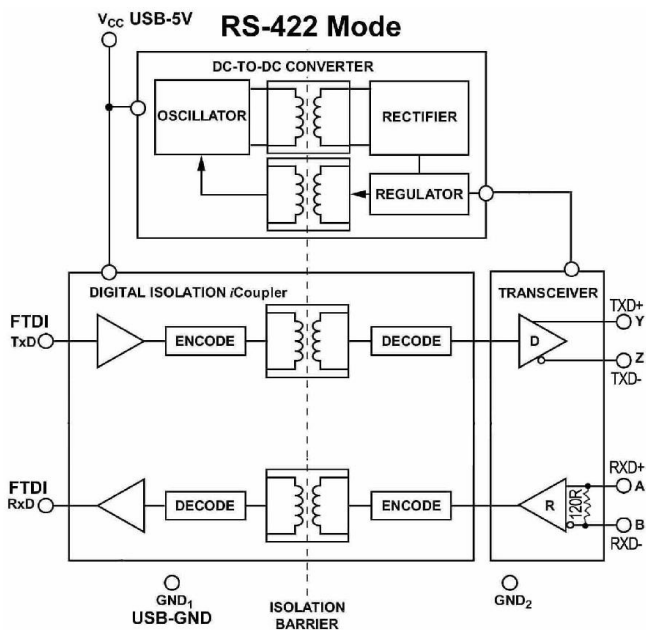


Type-C to RS-422 / 485 Isolated Cable

Features:

- Type-C to RS-422/485(4 pin Terminal) Converter with Isolated dc-to-dc converter
- Meets EIA/TIA-232E specification
- ESD protection on Tout pins (+8KV: contact discharge +15KV: air gap discharge)
- **5V Power Input / Output Isolation : 1,500 Vdc**
- **USB D+/D- Signal Input / Output Isolation : 2,500 Vdc**
- Bus powered , [FTDI](#) Chip
- Standard Type-C to RS-422/485 Adapter
- Easy to install , Plug & Play
- Fully compliant with Type-C Spec.
- For Window / 7 / 8 / 10 / 11
- For MAC OS. 8.6 up ,LINUX
- Data rate : 115200 bps
- With 422/485 selector switch
- With : Power LED indicate
- With : RS-422/485 LED indicate
- TX LED indicate / RX LED indicate

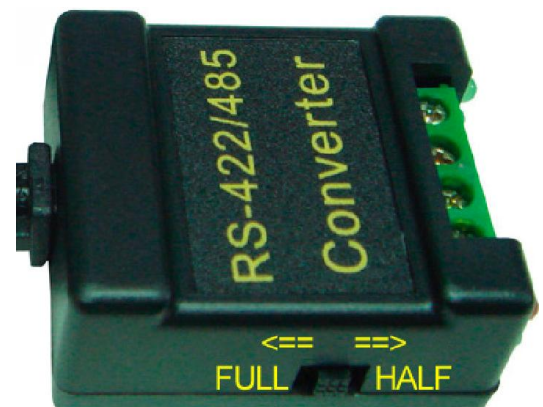


Specification :



Pin Assignment

1	2	3	4
RS-422			
RXD-	TXD-	TXD+	RXD+
RS-485			
R-	D-	D+	R+



RS-422<====>RS-485