





ASM-620 (RS-232 to RS-232 Extender-w/RS-422 Driver *4)

The ASM-620 is a RS-232 interface throw RJ-45 Cable to RS-232 extender box
 The ASM-620 with TX box /DCE Mode to Host & RX box /DTE Mode to Device
 RJ-45 Cable w/TXD+/TXD-; RXD+/RXD-; CTSD+/CTSD-; RTSD+/RTSD- Singles
 You can easy connect PC or PLCC RS-422 interface to ASM-620 and connect to Device RS-232 port.
 ASM-620 box extend distance RS-232 TXD/RXD/CTS/RTS Singles

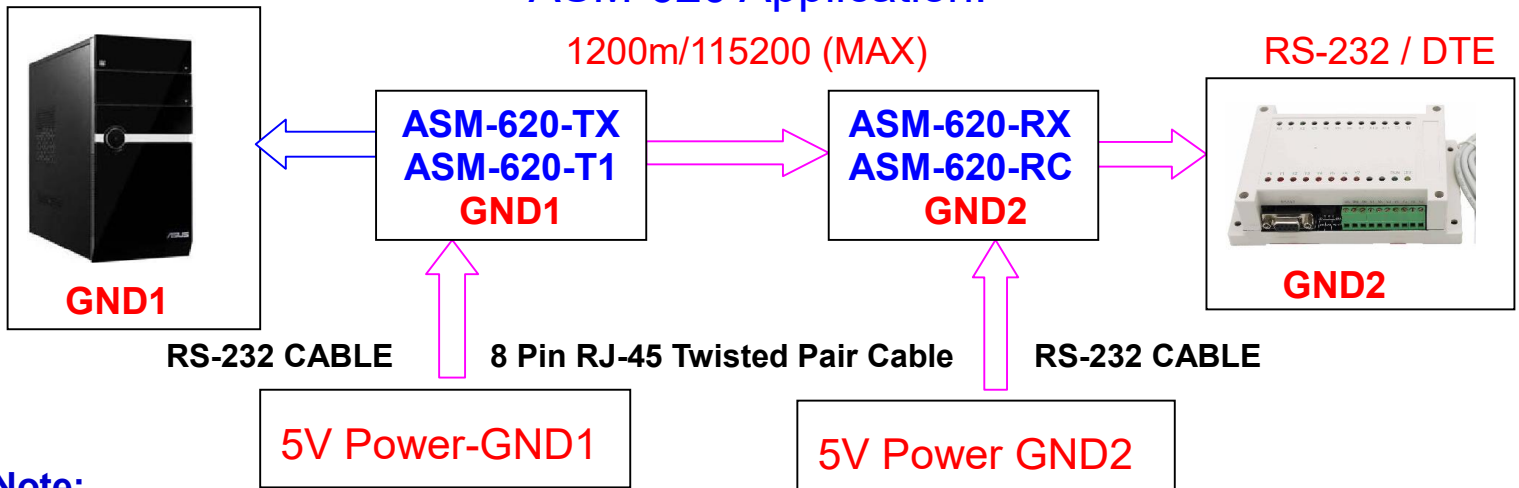
With TXD-RXD LED Display data transfer

Power: TX/RX w/ DC5V Adapter / **Data rate: Over 115,200 bps / 1,200m**

ESD Protection for RS-232 I/O' +-15KV

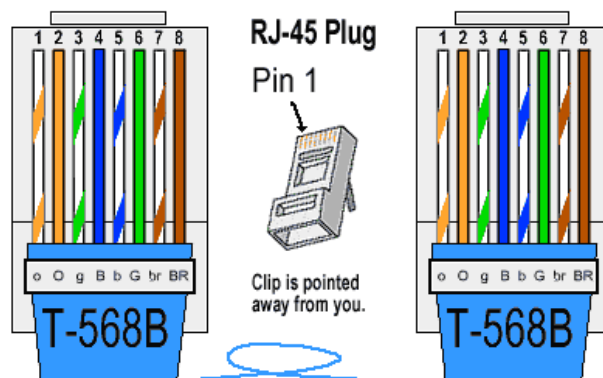
ASM-620-T1	ASM-620-TX	ASM-620-RX	ASM-620-RC
			
Model: ASM-620 (TX+RX) / ASM-620-A (TX+RC) / ASM-620-B (T1+RX) / ASM-620-C (T1+RC)			

ASM-620 Application:



Note:

1. GND1 & GND2 are different (RS-422 Interface unnecessary same GND)
2. GND1 to Host GND & TX 5V Adapter GND
3. GND2 to Device GND & RX 5V Adapter GND
4. Metal of RJ-45 Connector to GND
5. Use Cat 6 Shielded Ethernet CAT6STP Cable with preferably signal protect. =====>



RJ45 Singles: 1. RTS+ ;2.RTS- ;3.RX+ ;4.TX- ;5.TX+ ;6.RX- ;7.CTS+ ;8.CTS-